

MOSS-AHD720-01UR-A

High resolution, 1.0 Megapixel, 720P, 12VDC
12 Leds, with smart IR-CUT



Description:

This is a high quality Color Using the latest CMOS technology, the camera can produce high resolution with little distortion. AHD (Analog High Definition) is a high video definition standard, through the coaxial cable, using the analog modulation technology to transfer progressive-scan HD Video signal. AHD system is same as traditional analog system, using common 75-3 coaxial cable to carry out as far as 500 meters HD video without any video signal loss.

The coin-size bullet type camera, monitor can be used in the car for the front/size/backward monitoring. The camera is easy to install and to adjust viewing angle. It is suitable for using as vehicle auxiliary monitoring.

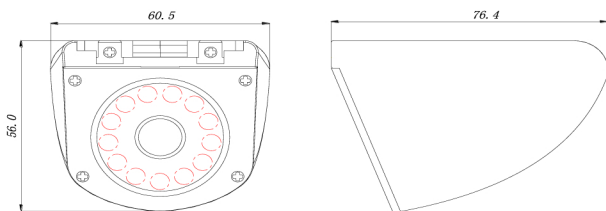
Cautions:

1. Please ensure that the input voltage range is within the specifications.
2. Do not attempt to service the camera by yourself. Please refer all services to qualified Dealers.

Packing list:

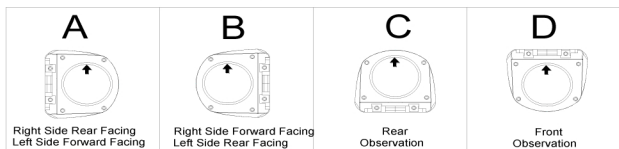
Camera	1
Instruction Manual	1
Self Drilling Screw	3
Mounting Plug	3
Hex-key	1
Optional Lens	selectable from f2.8mm to f12mm

Dimensions:



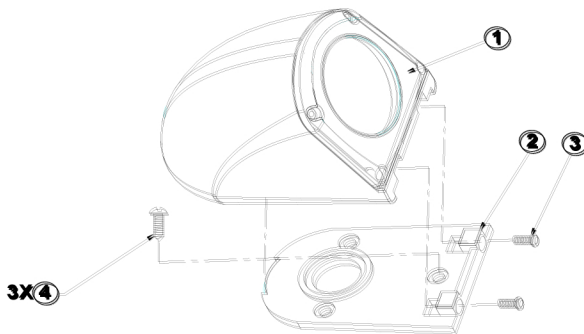
Camera Module Orientation Matches Letter

Orientation Illustrated:



(The front picture shown A orientation)

Operation procedures:



1. Loosen the lock screws (3) by applied hex key, remove the mounting base (2) from the camera (1).
2. Attach the mounting base (1) to the wall or ceiling, wherever you want to install the camera. Locate a wall stud or ceiling joint and secure the base by the supplied mounting screws (4).
3. Connect the 4 ways male din jack to the female jack on the cable, when picture shown up on the monitor.
4. Fix the camera on the mounting plate.

Connection:



- 1---12VDC (+)
- 2---12VDC/GND (-)
- 3---N/A
- 4---Video

Specifications:

Model	MOSS-AHD720-01UR-A
Pick up Device	1/4" CMOS Sensor AR0141
TV System	NTSC
Picture Elements	1280(H)*720(V)
Effective pixels	1.0M pixels
Day-night mode	External control (default) / Auto / color / black and white
Infrared Spectrum	850nm
S/N Ratio	More than 48 dB, (AGC Off)
Auto Gain Control	Auto
White Balance	Auto
Electronic Shutter	AUTO/ 1/50 (1/60) -1/100,000sec
Back Light Compensation	Auto
Infrared LED	12 LEDs
Infrared LED Range	8 m
Video output	1 Vp-p, 75Ω composite, 4 ways Din jack x1
Audio Output	N/A
Mirror	N/A
Power Consumption	150mA
Lens	Standard f2.1mm Fixed Megapixel Lens
Lens Mount	M12XP0.5mm Thread
Video footage to take up space	1min≈32MB
Power Supply	12V DC ±10%
Dimensions(L x W x H)	76.4 x 60.5 x 56mm
Net Weight	203g
Weatherproof	IP67
Operating Temperature	-10°C to +50°C

*Specifications are subject to change without prior notice.

- Input voltage exceeding the nominal rating by over +/-10% will cause abnormal operation.

Note: This camera needs to connect to MDVR or DVR that supports AHD (Analog High Definition) system.

4-MAN-MOSS-AHD720-01UR-A REV.A