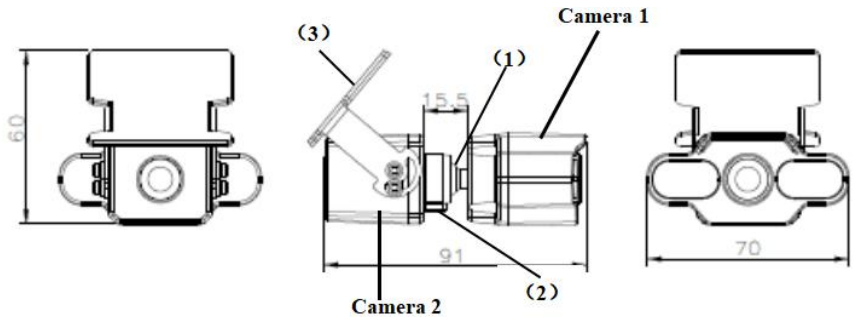


## MOSS-AHD960-DDC2



### Features:

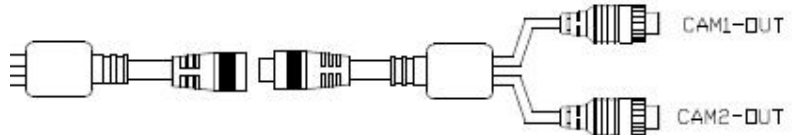
- Aluminum alloy housing.
- Wide angle lens.
- Cam1 Build-in IR LED.
- Cam1 Audio optional.

### Operation procedures:

1. Adjust the position of (1) to change the angle of inner-forwarding camera 1.
2. Adjust the position of (2) to change the angle of out-forwarding camera 2.
3. Take off the 3M sticker of (3) to fix the whole camera to needed place.
4. Connect the cable as below.

### Packing list:

Camera	1
Instruction Manual	1
Hex-key	1



### Specifications:

Model	Inside Facing
Image Sensor	1/3" CMOS AR0130
TV System	PAL/NTSC (optional)
Picture Elements	1280 (H) x 960 (V)
Sensitivity	0 Lux (IR LED On)
Scanning System	Progressive scan RGB CMOS
Synchronization	Internal
S/N Ratio	More than 44dB (AGC Off)
Auto Gain Control (AGC)	Auto
Electronic Shutter	Auto
BLC	Auto
Infrared Spectrum	940nm
Infrared LED	6 LEDs
Video Output	1 Vp-p, 75 Ω, AHD
Audio	Available
Mirror	Optional
ICR	N/A
Noise Reduction	3D
Dynamic range	83.5 dB
Lens	f2.1mm Megapixel
Pan Adjusting	0-50°
Tilt Adjusting	0-50°
Power Supply	9-18V DC
Power Consumption	110mA
Weatherproof/Water Proof	N/A
Operating Temperature	-30°C to +70°C

Model	Outside Facing
Image Sensor	1/3" CMOS AR0130
TV System	PAL/NTSC (optional)
Picture Elements	1280 (H) x 960 (V)
Sensitivity	0.1 Lux/F1.2
Scanning System	Progressive scan RGB CMOS
Synchronization	Internal
S/N Ratio	More than 44dB (AGC Off)
Auto Gain Control (AGC)	Auto
Electronic Shutter	Auto
BLC	Auto
Infrared Spectrum	N/A
Infrared LED	N/A
Video Output	1 Vp-p, 75 Ω, AHD
Audio	N/A
Mirror	Optional
ICR	N/A
Noise Reduction	3D
Dynamic range	83.5 dB
Lens	f2.5mm Megapixel
Pan Adjusting	N/A
Tilt Adjusting	0-80°
Power Supply	9-18V DC
Power Consumption	70mA
Weatherproof/Water Proof	N/A
Operating Temperature	-30°C to +70°C

## G.P.S. TRACKING, FLEET MANAGEMENT & MOBILE SURVEILLANCE SYSTEMS

636 Hempstead Turnpike, Franklin Square, NY 11010

Tel: 516.489.2350      Fax: 516.489.8430

www.movinongps.com