

IR Day/Night Megapixel AHD Camera

Model: **MOSS-AHD960-SV10S**

High resolution, 1.3 Megapixel, 960P, 12VDC
12Leds, with smart IR-CUT



Description:

This is a high quality AHD color camera using the latest AHD Digital CMOS sensor technology. This camera can produce high density digital resolution with little distortion. It can provide a wide operation temperature range and is not subject to distortion from magnetic field. With our special housing and circuit board design, the camera provides a designated and compact size for easy installation. This camera is a 1.3 mega pixel 1280x960p surveillance camera with very good picture quality. Besides, the OSD of the camera can provide multiple national languages for your selection.

Cautions:

1. Please ensure that the input voltage range is within the specifications.
2. Please do not place the camera in a location with a temperature exceeding 50°C.
3. Do not attempt to service the camera by yourself. Please refer all services to qualified Dealers.

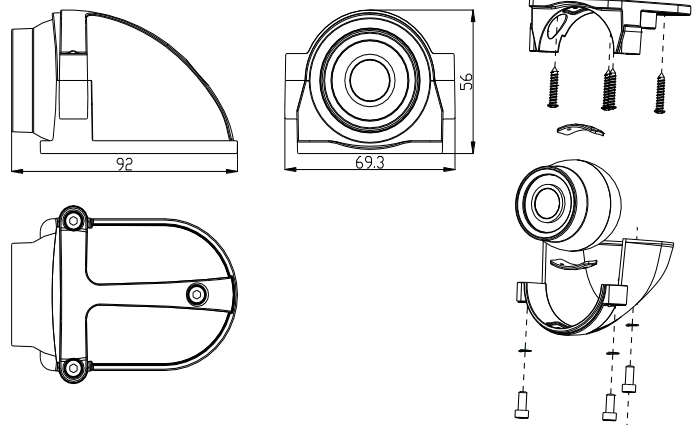
Packing list:

Camera	1
Instruction Manual	1
Self Drilling Screw	4
Mounting Plug	4

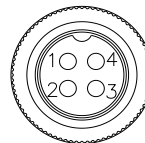
Operation procedures:

1. Loosen the lock screws
2. Attach the mounting base to desired camera location on or in the vehicle (always check behind surface for wiring), then secure the base with the supplied mounting screws.

3. Connect the 4 ways male din jack to the female jack on the cable, when picture shown up on the monitor.
4. Make the ball camera to the suitable position.
5. Fix the ball camera, then lock the screw .



Connection:



- 1 --- 12VDC (+)
- 2 --- 12VDC/GND (-)
- 3 --- N/A
- 4 --- Video

Specifications:

Model	MOSS-AHD960-SV10S
Pick up Device	1/3"AHD CMOS Digital Sensor AR0130
TV System	NTSC
Picture Elements	1280(H)*960(V)
Effective pixels	1.3M pixels
Day-night mode	External control (default) / Auto / color / black and white
Infrared Spectrum	850nm
S/N Ratio	More than 50 dB, (AGC Off)
Auto Gain Control	Auto
White Balance	Auto
Electronic Shutter	AUTO/ 1/50 (1/60) -1/100,000sec
Back Light Compensation	Auto
Infrared LED	12 LEDs
Infrared LED Range	8 m
Video output	1 Vp-p, 75Ω composite , 4 ways Din jack x1
Audio Output	N/A
Mirror	N/A
Power Consumption	130mA
Lens	F2.1mm Standard Lens
Lens Mount	M12XP0.5mm Thread
Power Supply	12V DC ±10%
Dimensions(L x W x H)	92 x69.3x 56mm
Net Weight	238g
Weatherproof	IP67
Operating Temperature	-10°C to +50°C

*Specifications are subject to change without prior notice.

4-MAN-MOSS-AHD960-SV10S REV. A